

**FLOORING DIFFUSERS - LOW SPEED BLOWING DIFFUSER – CKD-06**



**AREAS OF USE AND FEATURES:** It is used as blowing diffusers in Hvac systems. It is suitable for shooting from the ground. The ideal shooting distance is between 0.5-1.5 m. It is used in raised floor applications. It is standard screwless mounted. Installation method can be changed optionally. Air regulation is made by damper method. It is used in movie theaters, conference halls and offices. It provides comfortable ventilation of the air by reducing the heat load on the items and people during the upward air flow. It does not cause turbulence.

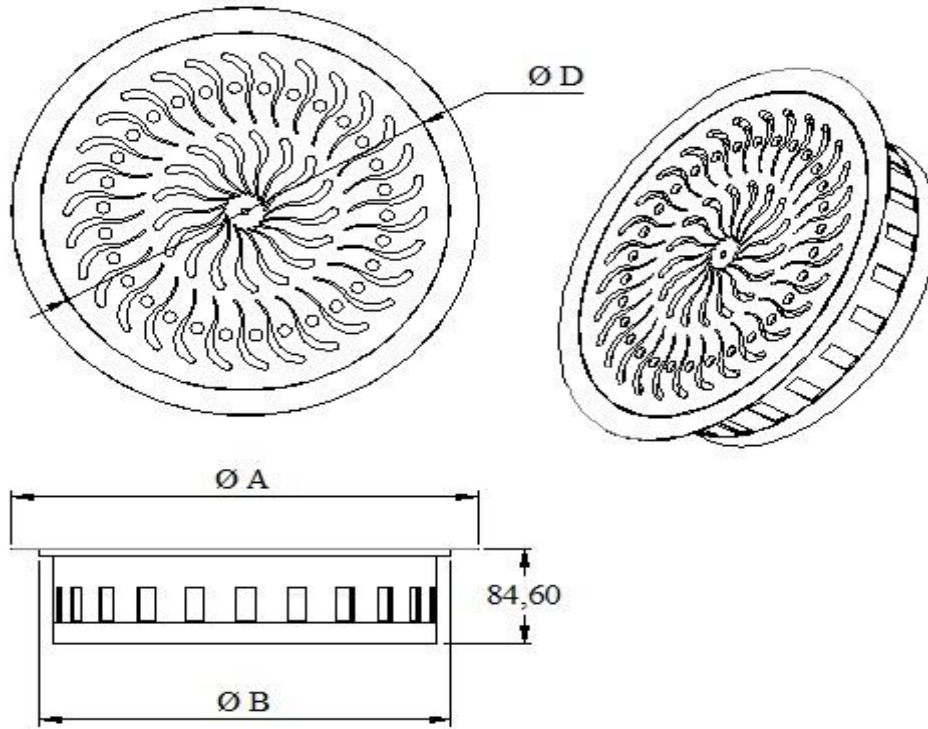
**MATERIAL:** It is manufactured by laser method with 1 mm, DKP material and 5 mm DKP material with diffuser body.

**SURFACE COATING:** The product can be manufactured in any color with electrostatic powder paint. The wings are manufactured in standard black color.

**ACCESSORIES:** Plenum box

**TECHNICAL DIMENSIONS**

$\varnothing D$	$\varnothing A$	$\varnothing B$	AIR FLOW m <sup>3</sup> /h MIN.MAX	AIR VELOCITY m/s	SHOOT DISTANCE m.	AIR SPREADING AREA m.	PRESURE LOSS Pa.	SOUND LEVEL dBA
150	210	153	77-155	2-4	1,5	1,4	25	25
200	260	203	105-210	2-4	1,5	1,4	30	25
250	310	253	165-230	2-4	1,5	1,4	32	25
300	360	303	140-280	2-4	1,5	1,4	32	25



**AIR WAY :**

